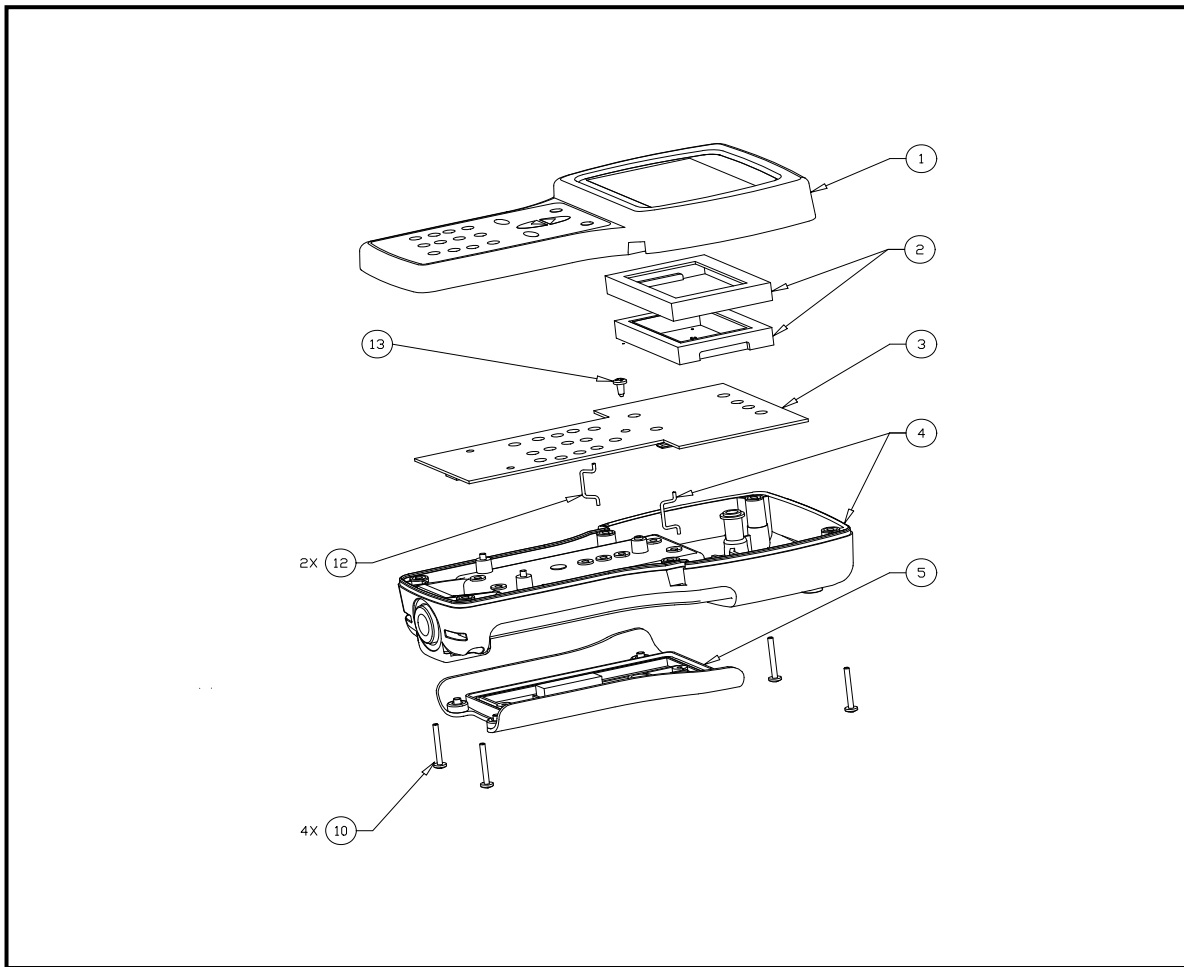


YSI Model 556 Assembly Drawing



BUBBLE	YSI ORDER NUMBER	DESCRIPTION
1	115602	Front Cover Assembly W/Keypad
2	600020	LCD
2	655210	Display Diffuser
2	655225	Shock Mount, Display
3	115604	PC Board Assembly No Barometer
3	115605	PC Board Assembly W/Barometer
4	115601	Rear Case Assembly w/MS-19 connector installed
4	655245	Connector Assembly, MS-19 (not shown)
4	655217	Connector Gasket Assembly, MS-19 (not shown)
4	655183	Connector Locking Wedge, MS-19 (not shown)
5	116505	Battery Lid Assembly W/Screws
10	655152	(6 Required) 6-32 x 1 Lg Pan Head Torx Screws
12	655137	Handstrap Bail
12	655138	Hand Strap (not shown)
13	655154	4-20 x ¼ Lg PCB Screw